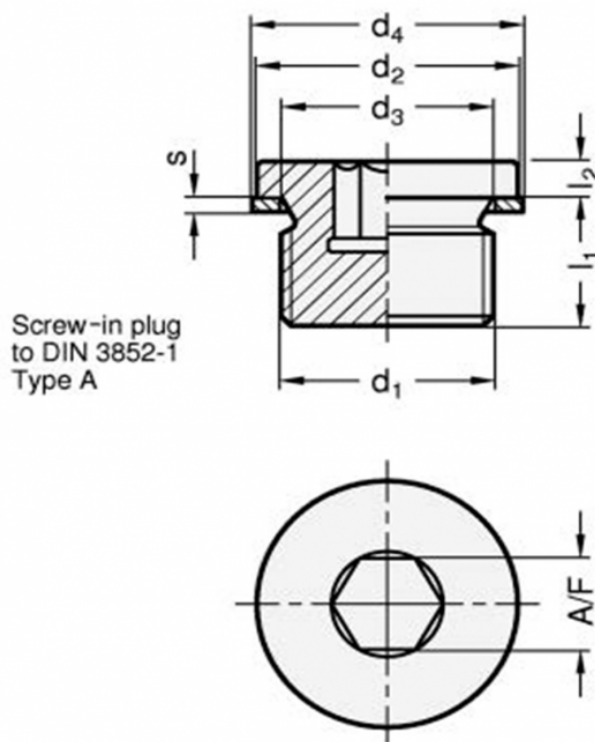


Article number: 20908STM1215AC

Description: E+G Threaded plug DIN 908-ST-M12x15-AC

Measures



A/F	= 6
d1	= M12x15
d2	= 17
d3	= 12.3
d4	= 16
l1	= 12
l2	= 3
s	= 1.5

Weight in (g) = 15